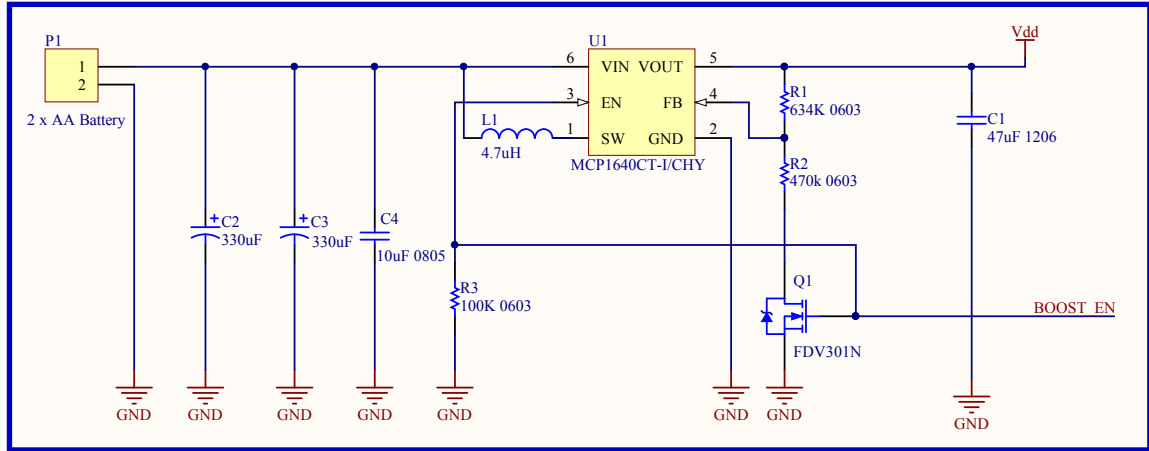
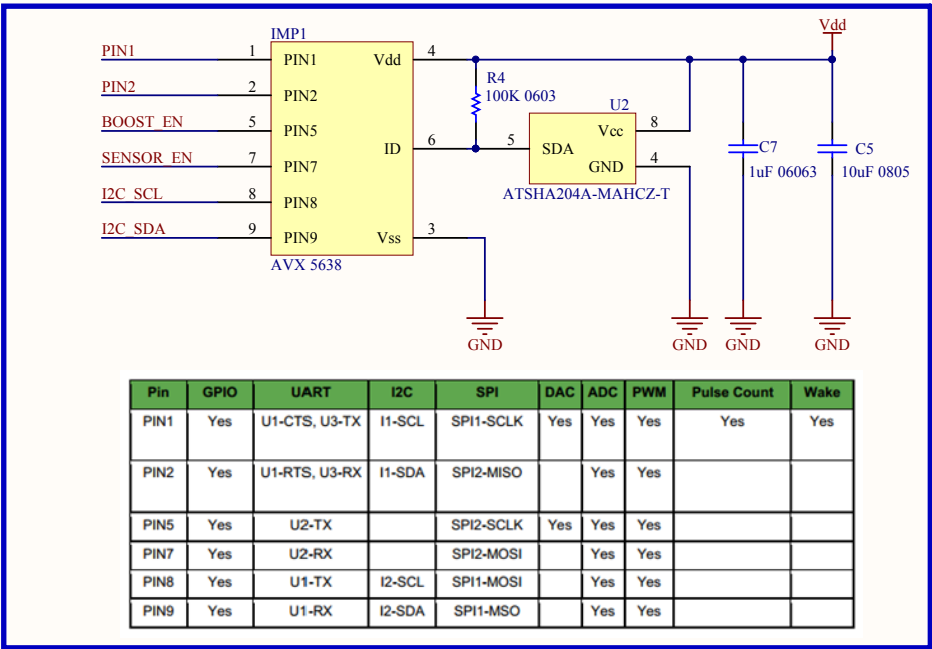


# Boost Converter



# Electric Imp



Pin	GPIO	UART	I2C	SPI	DAC	ADC	PWM	Pulse Count	Wake
PIN1	Yes	U1-CTS, U3-TX	I1-SCL	SPI1-SCLK	Yes	Yes	Yes	Yes	Yes
PIN2	Yes	U1-RTS, U3-RX	I1-SDA	SPI2-MISO		Yes	Yes		
PIN5	Yes	U2-TX		SPI2-SCLK	Yes	Yes	Yes		
PIN7	Yes	U2-RX		SPI2-MOSI		Yes	Yes		
PIN8	Yes	U1-TX	I2-SCL	SPI1-MOSI		Yes	Yes		
PIN9	Yes	U1-RX	I2-SDA	SPI1-MSO		Yes	Yes		

# Temperature/Humidity Sensor

