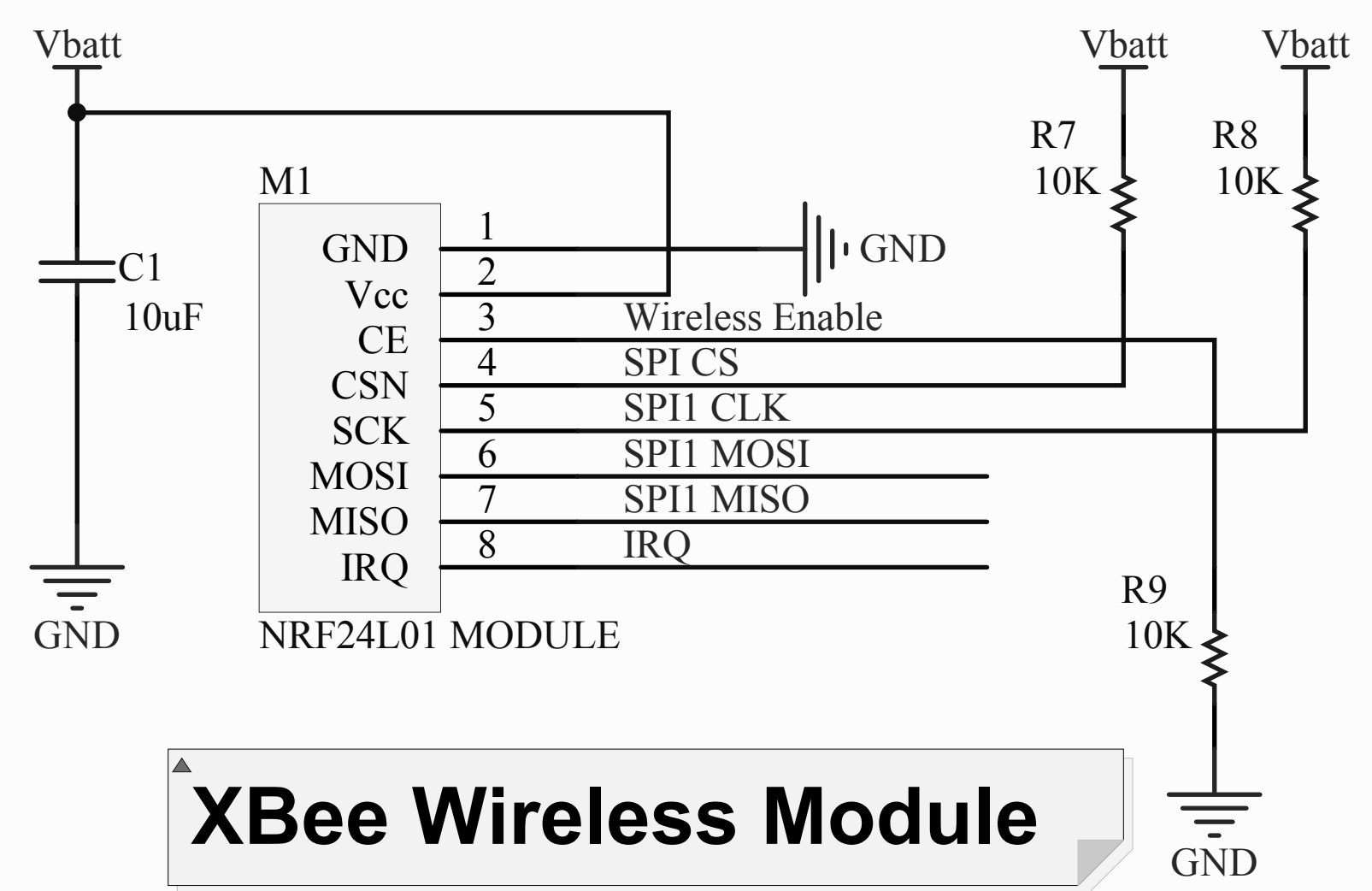
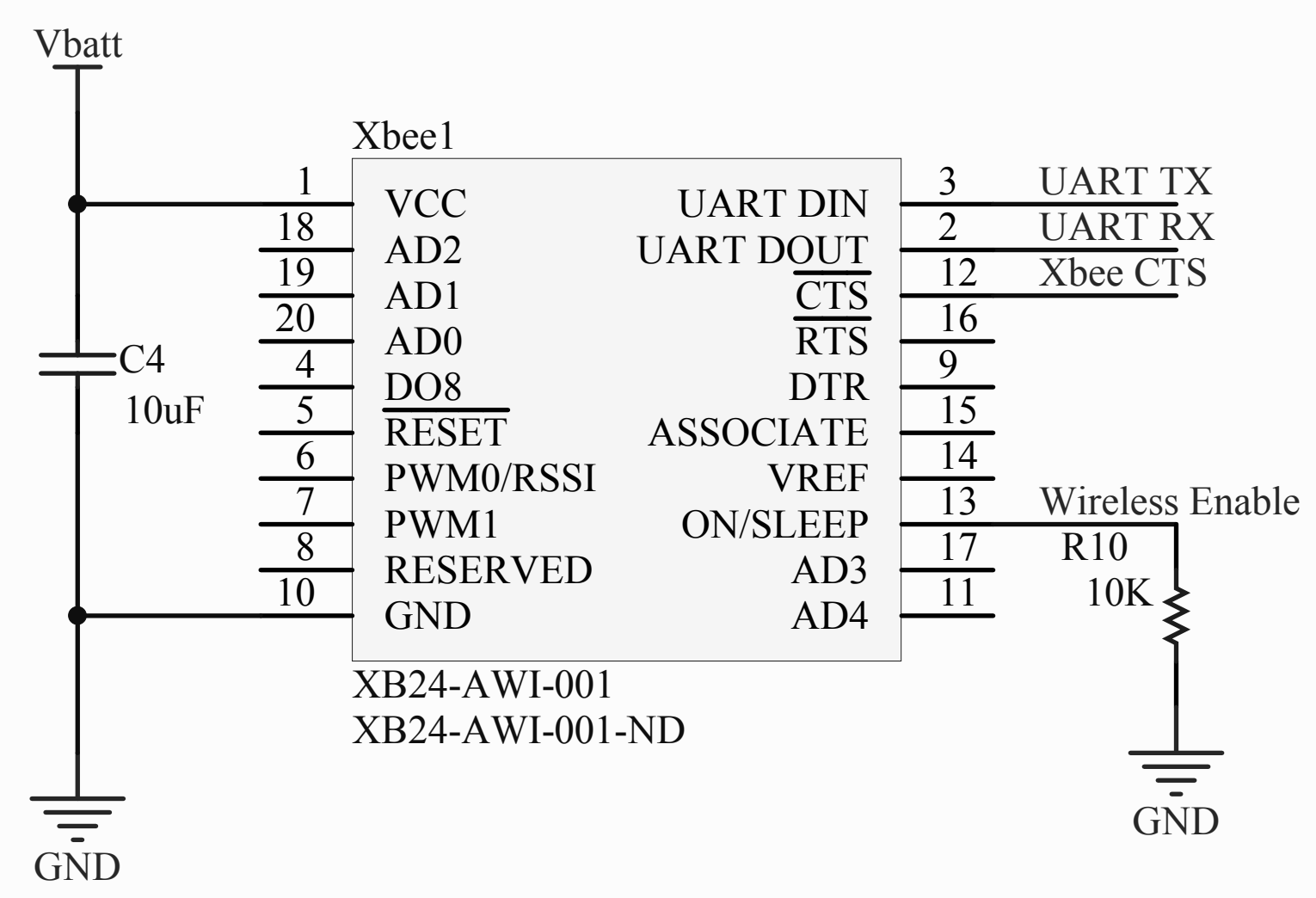


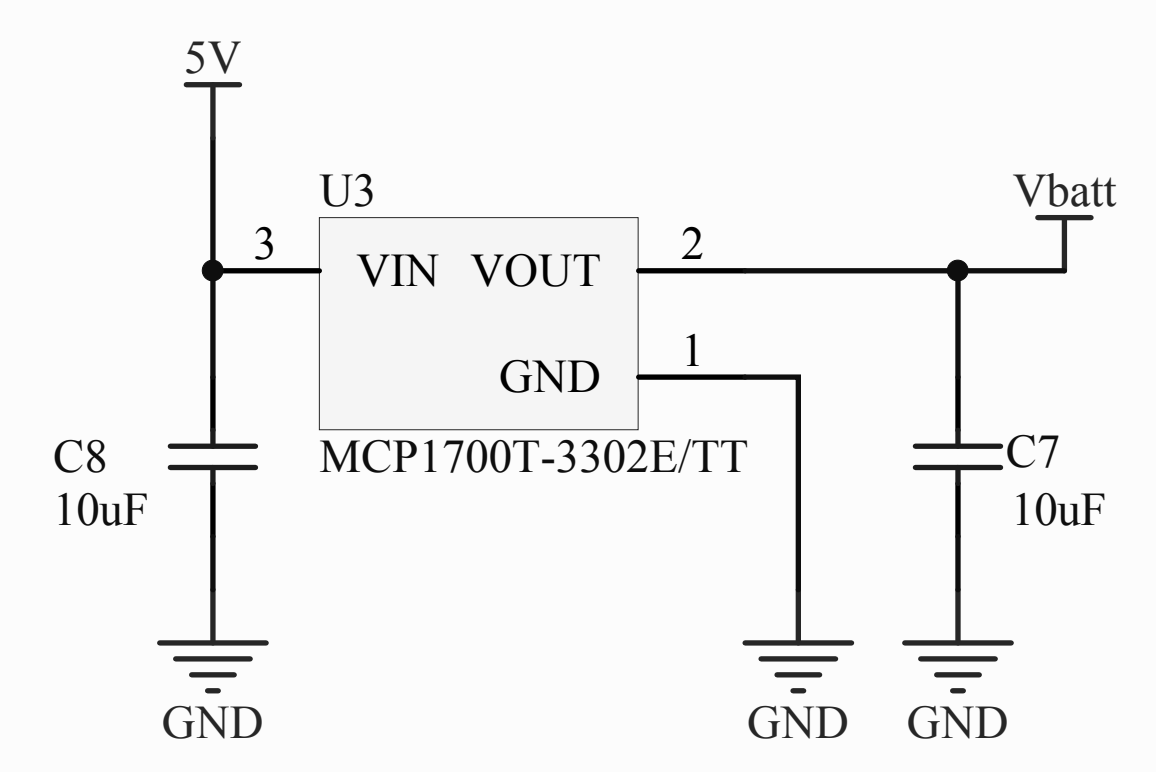
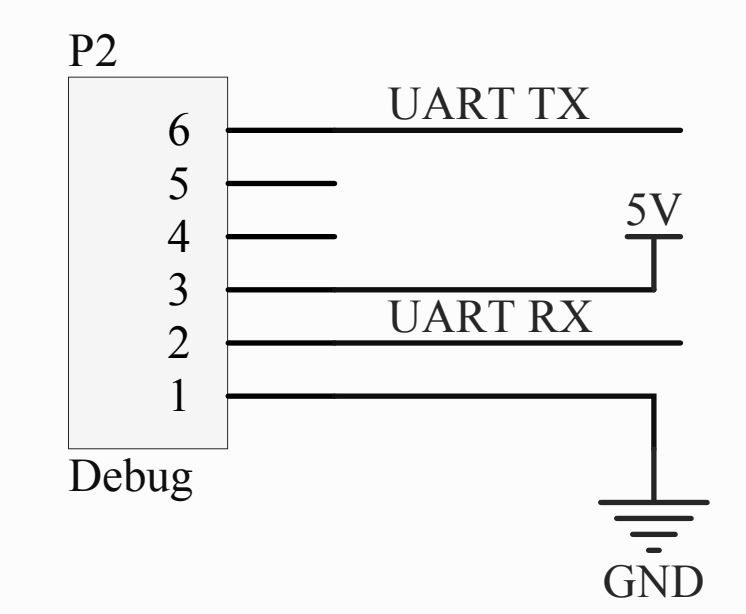
NRF24L01 Wireless Module



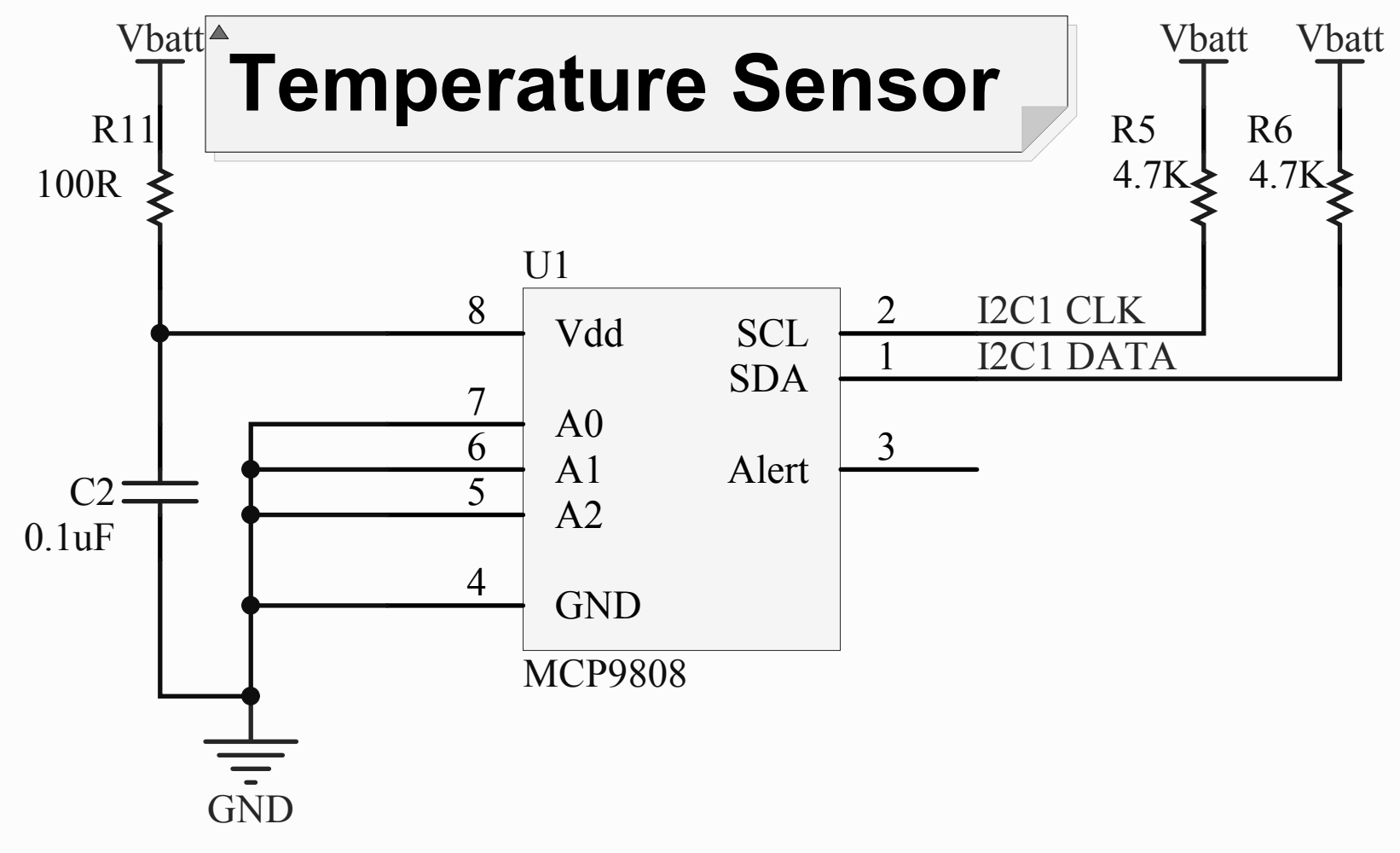
XBee Wireless Module



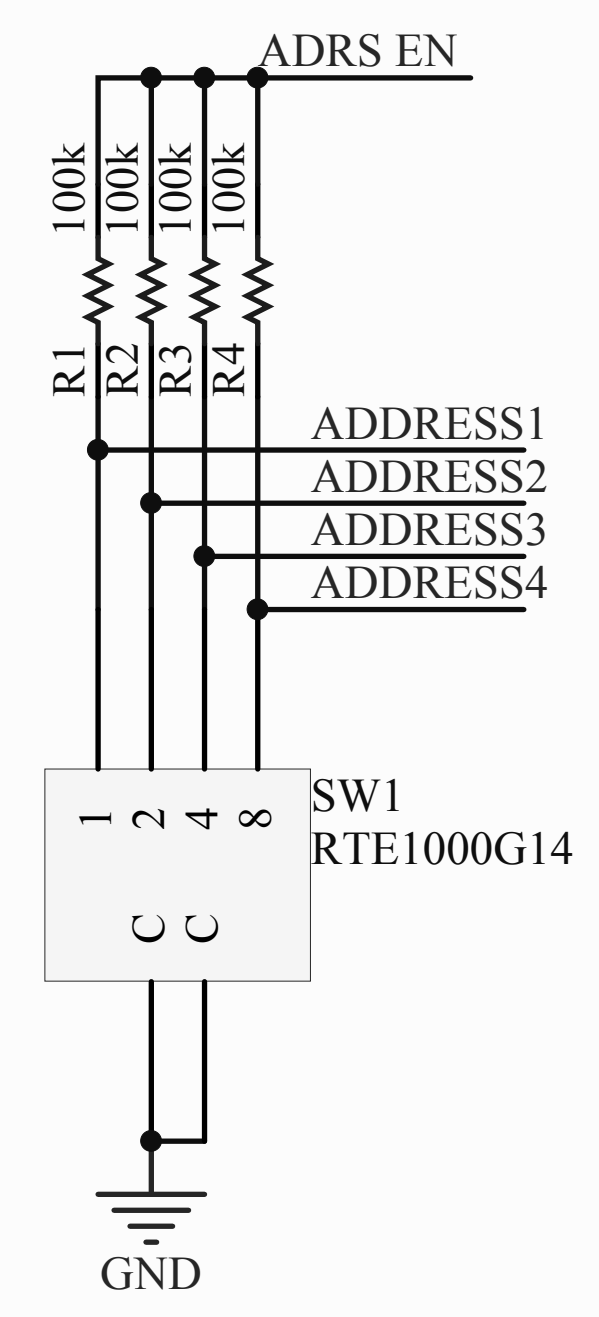
UART Debug Port



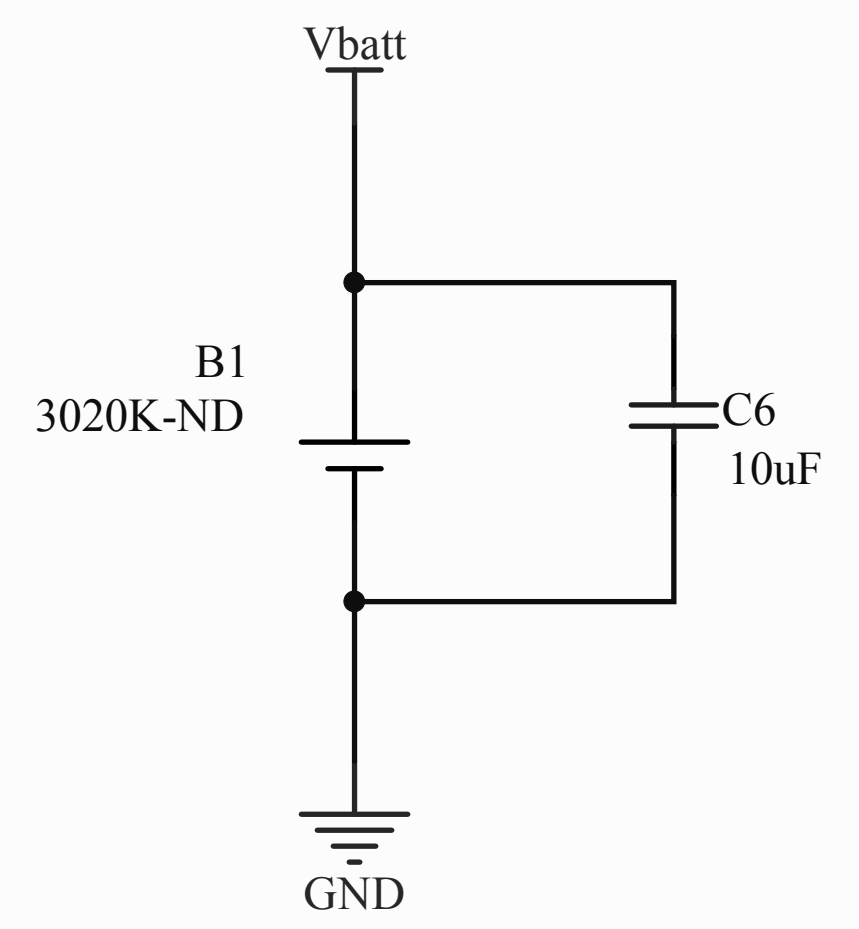
Temperature Sensor



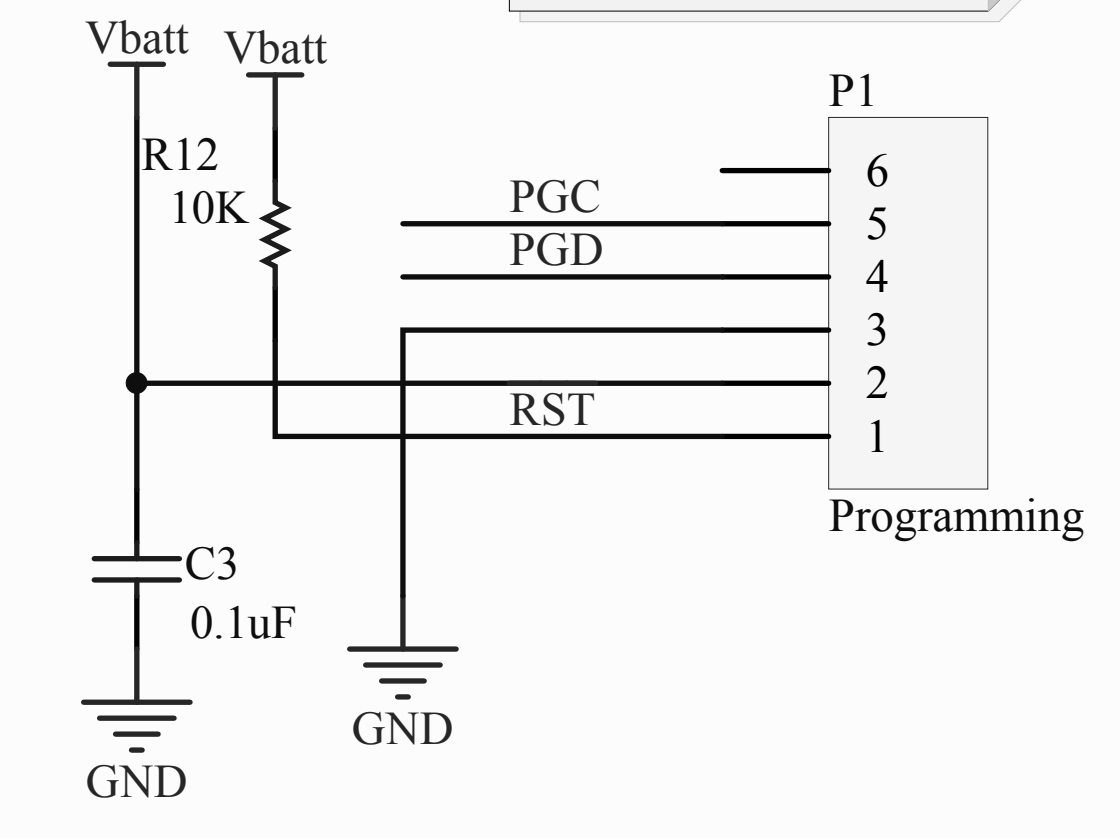
Address Switch



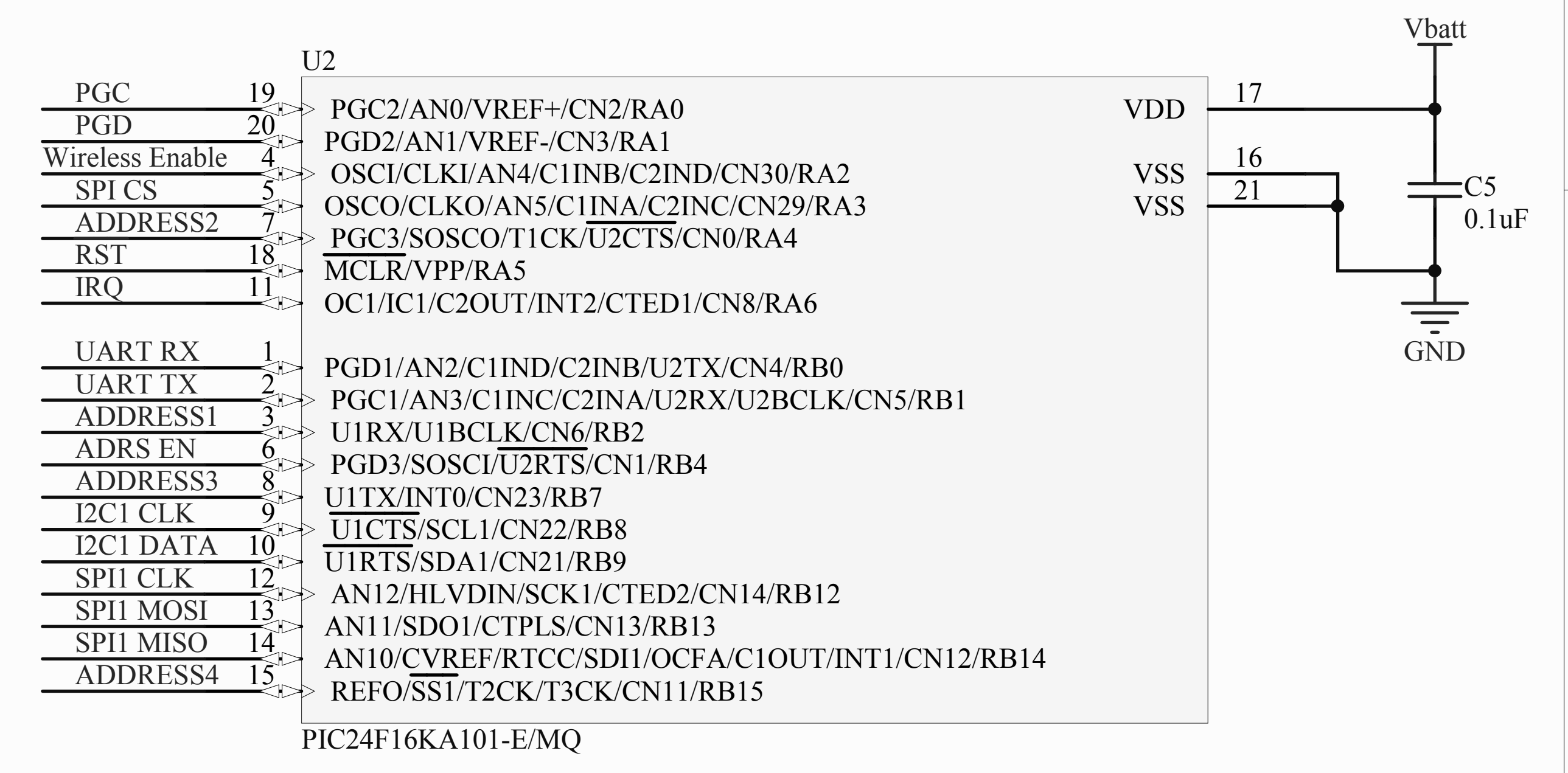
CR2032 Battery



ICSP Port



Microcontroller



Title			Wireless Temperature Sensor
Size	Number	Revision	
Legal		1.0	
Date:	5/11/2013	Sheet of 1 of 1	
File:	C:\Users\...\Wireless Temperature Sensor.SchDoc\... By Andrew Swanton		