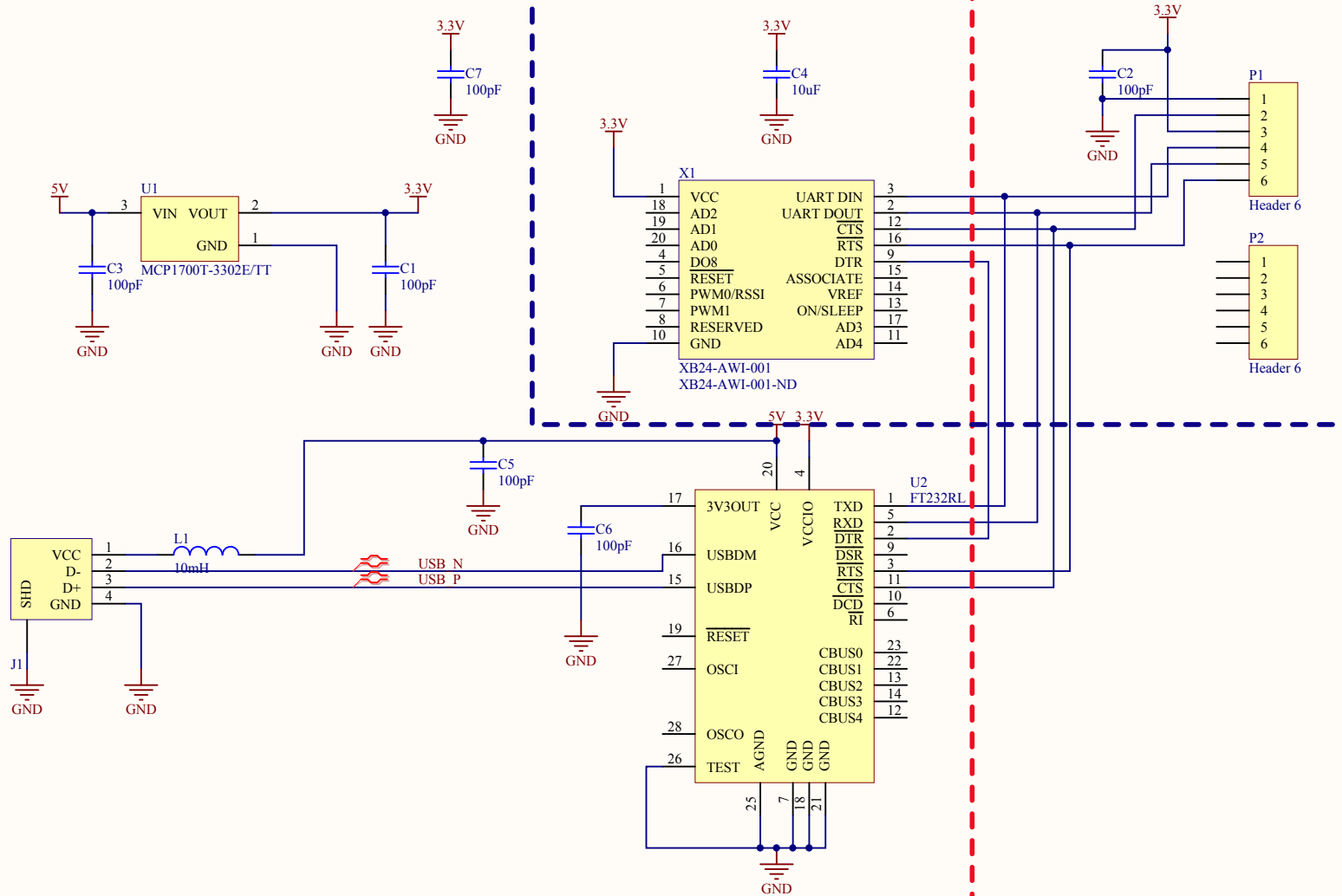


Populate for connection to PC

Populate for Connection to Microcontroller



| | | |
|-------|---------------------------|-----------|
| Title | | |
| Size | Number | Revision |
| A4 | | |
| Date: | 14/11/2011 | Sheet of |
| File: | D:\My Dropbox\XBee.SchDoc | Drawn By: |